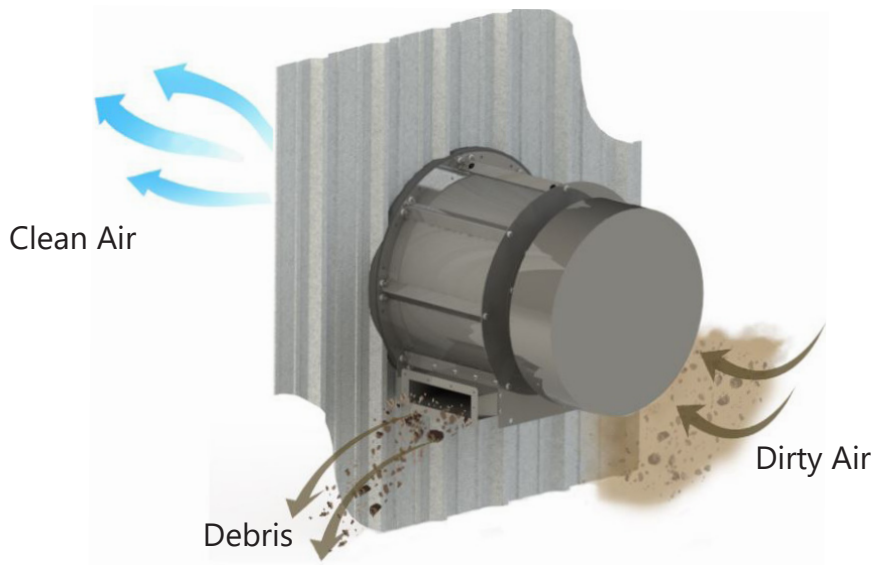




AIR CLEANING BLOWERS™

SELF CLEANING- NO FILTER ELEMENTS TO MAINTAIN

ACB T20 MODEL



AIR FLOW: 1800-2500 CFM

UNIT TECHNICAL SPECIFICATIONS

Standard Electrical Options:

(Other Configurations Available Upon Request)
 • 460 Volts / 60 Hz / 3 Phase
 *Most Units can run on 50 Hz as well, albeit at lower RPM and CFM Output

Amperage of Components:

(60 Hz Data)
 • 460/3/60 - FLA = 9.0A, MCA = 11.3A, MOP = 20.0A

Most units can run on 50Hz current, without adaptation, but with reduced capacity and RPM. Additional models available to operate on special voltages.

Standard models are 18 gauge steel cabinets and a 12 gauge mounting plate.
 Metal material options: Aluminum, 304 Stainless Steel or 316 Stainless Steel.

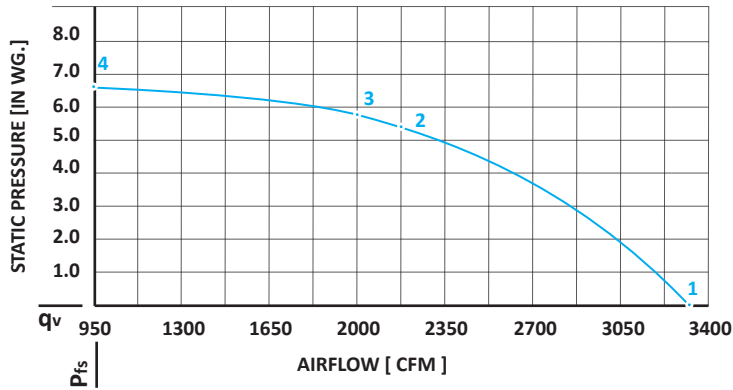
Rain hoods and downspouts are removable to facilitate installation, but necessary for safe functioning of the standard units, unless they are installed in duct work.

Units meet IP54 or higher standard. They can meet NEMA 4X standard if made of type 304 or type 316 stainless steel and appropriate material for impeller.

APPLICATIONS

Manufacturing	Medical	Data Center / Clean Rooms	Mining / Oil / Tunneling	Office / Corporate
Food Processing	Military / Government	Agriculture	Transportation	School / Institution

AIRFLOW PERFORMANCE



* All values labeled in the graph and table are estimates.

Point	Power Supply V	Frequency Hz	Airflow CFM	Pressure IN WG.
1	460	60	3397	0.00
2	460	60	2175	5.52
3	460	60	2000	5.86
4	460	60	950	6.61

OPTIONS

- | | |
|---|--|
| Heating Elements | 1.5 to 20 kW of electrical-resistance heat using corrosion-resistant tubular incoloy elements (not light-weight wires). |
| Collecting Particles | In the case that the material being removed from the air or other gas has value, various adaptations can channel the material to a collection point. For some models, ACB can offer optional, reusable particle-collection bags. |
| Housing for Downstream Specialty Filter Media | Activated carbon and other chemical-removing bulk media or filter elements to remove finer particles than the ACB removes. |
| Thermostat | To control the airflow or to warn user of high or low temperatures. |
| Adaptation for Installation On/In Vertical and other Air Conditioners | Provide changes of air and/or pressurization and purging to enclosures served by the Air Cleaning Blowers™. |
| Hazardous-Area Controls | To provide NFPA Type X, Y, or Z purging and pressurization. |
| Adaptation for Hazardous (Explosive) Ambients | NEC Class I Groups A, B, C, or D, Class II Groups F or G, or Class III Division/Zone 2 or Class I Groups C or D, Class II Groups E, F, or G, or Class III, Division/Zone 1 or 2 and their ATEX and IECEx equivalents. |

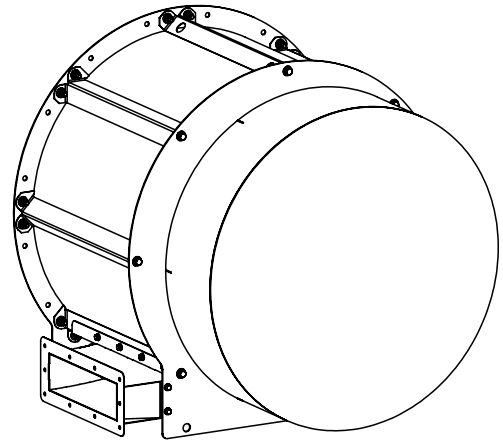


Air Cleaning Blowers™, LLC
www.AirCleaningBlowers.com
 +1 (518) 635-4169

1521 U.S Route 9W
 Building 4C/D
 Selkirk, NY 12158

INSTALLATION

ACB units typically bolt to a wall. They require no additional support, unless the wall cannot support the weight indefinitely. When ACBs are installed on a wall, the aperture can be aligned with a duct, if desired. These units are designed to connect directly to standard sized ducting and their flanges. Most units come equipped with a cord for connection to a junction box.



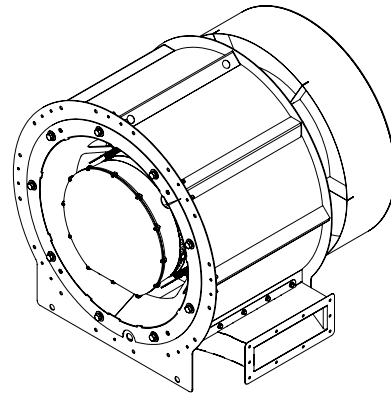
DIMENSIONS

Approximate Weight of Unit: 253 lbs [115 kg]

The inlet hood may be removed, allowing direct customer connections* to inlet.

All dimensions are subject to change.

*Customer ducting connected to inlet/discharge must be self-supporting.



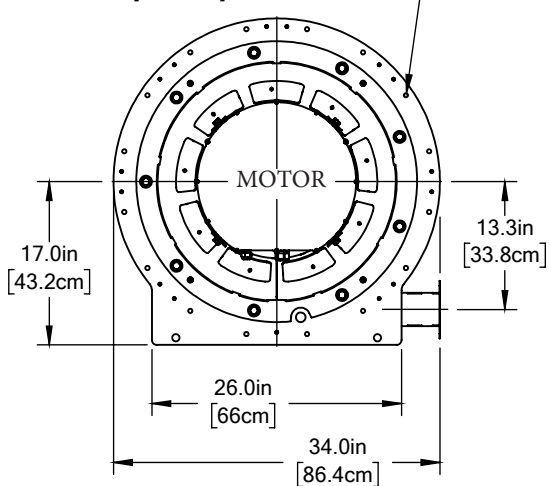
CLEAN AIR OUTLET CONNECTION

Ø 7/16in [1.1cm] THRU, 16 PLACES

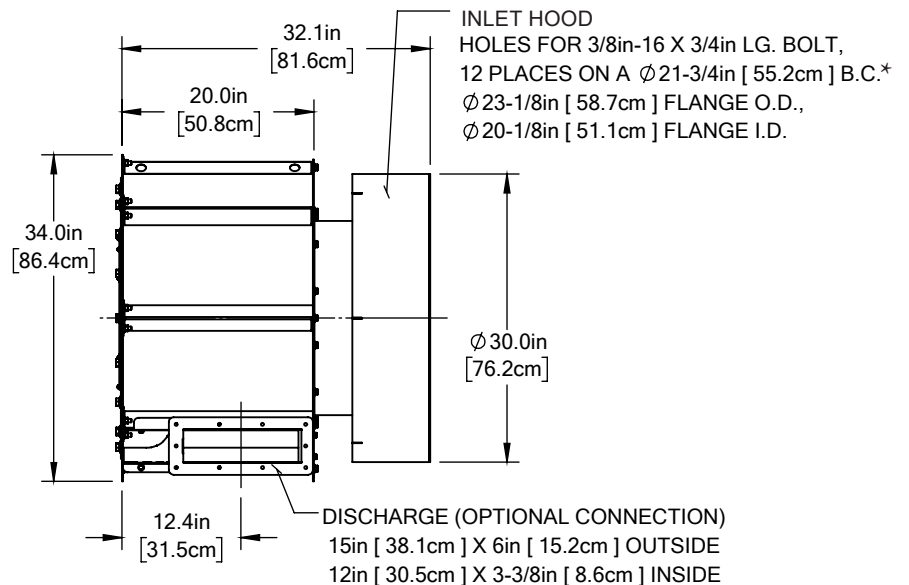
ON A Ø 32-3/8in [82.2cm] B.C.*

Ø 34in [86.4cm] FLANGE O.D.,

Ø 30-1/8in [76.5cm] FLANGE I.D.



* B.C. = BOLT CIRCLE



Air Cleaning Blowers™, LLC
www.AirCleaningBlowers.com
+1 (518) 635-4169

1521 U.S Route 9W
Building 4C/D
Selkirk, NY 12158



AIR CLEANING BLOWERS™

SELF CLEANING- NO FILTER ELEMENTS TO MAINTAIN

Build Your Own Model (Number):

In order to properly specify your ACB, you must make selections in each of the categories: electrical, heat, cabinet material, impeller material, exterior finish, and hazardous location. The only category that is completely optional is "additional options" and it can be omitted if you do not have any special needs.

The electrical codes available for your ACB specification are: A, B, C, E, F, G, H and X. Select your electrical configuration using one of the codes listed below (). Next select a code for your desired heat option ().

The unit is made up 18 gauge material, with the choice of code(s): A, 4, 6, T () and with your choice of finish (). The impeller material is (). Note the impeller material most common for this model is code(s): A.

Next select the desired hazardous (explosive) - location rating if applicable (). This will complete the mandatory fields necessary to order or specify your Air Cleaning Blower™.

You can browse through the additional options / special conditions / custom modifications and select and add a code based on your additional needs, if any.

Choose your model by filling out the blanks with the appropriate code from the list below!

T							
AIRFLOW	ELECTRICAL	HEAT	CABINET	IMPELLER	EXTERIOR FINISH	HAZARDOUS LOCATION	ADDITIONAL OPTIONS

AIRFLOW (NOMINAL)

0	0-50 CFM
1	50-125 CFM
2	125-175 CFM
3	175-275 CFM
4	275-400 CFM
5	400-500 CFM
7	500-700 CFM
8	700-850 CFM
10	850-1400 CFM
20	1400-2500 CFM
35	2500-4500 CFM
50	4500-6000 CFM
75	6000-8000 CFM
100	8500-12000 CFM
150	12000-17000 CFM
#	# x 1000 = CFM

HEAT

CODE	HEAT / KW
N	NO HEAT
1	1 kW
2	2 kW
3	3 kW
4	4 kW
5	5 kW
6	6 kW
7	7 kW
8	8 kW

CABINET & IMPELLER

CODE	MATERIAL
F	FIBERGLASS
R	FIBERGLASS REINFORCED
A	PLASTIC
4	ALUMINUM
6	STAINLESS STEEL 304
P	STAINLESS STEEL 316
D	POLYPROPYLENE
L	LDPE
Y	ALS

EXTERIOR FINISH

CODE	EXTERIOR FINISH
4	#4 SATIN METAL FINISH
P	POWDER COATED PAINT
A	ANODIZED
M	MILL FINISH
N	NICKLE PLATING
G	GALVANIZED STEEL
B	BLACK OXIDE
V	PASSIVATION COATING
Y	SPRAY PAINT

HAZARDOUS LOCATION

CODE	HAZARDOUS LOCATION
N	NONE
H	HARSH DUTY
E	EXPLOSION

GROUP(S):

[A] Acetylene	[E] Metal Dust
[B] Hydrogen	[F] Carbon-based
[C] Ethylene	[G] Nonconductive Dust
[D] Propane	

CLASS	I	OR	II	OR	III
DIVISION			1	OR	2

ELECTRICAL

CODE	AC 60HZ	AC 50 HZ
A	115V / 1 PH	
B	220-240V / 1 PH	220-240 V / 1 PH
C		220 V / 1 PH
E	277V / 1 PH	220-240 V / 1 PH
F		180-260 V / 1 PH
G	208-230V / 3 PH	200-240 V / 3 PH
H	200-220V / 3 PH	200-220 V / 3 PH
J	415V / 3 PH	415 V / 3 PH
K	575V / 3 PH	
L	208-230V / 1 PH	220 V / 1 PH
M	460V / 3 PH	380-420 V / 3 PH
N	460V / 3 PH	
P		380-420 V / 3 PH
Q	208-230 460V 3PH	208-230 460V / 3PH
R	380 V / 3 PH	
X	208-230 380-460V 3PH	380-420V / 3 PH
Y	115 V / 1 PH / 400 HZ	
Z	115 V / 3 PH / 400 HZ	
S	SHAFT - MOUNTED	
D(#)	DIRECT CURRENT (VOLTAGE)	

ADDITIONAL OPTIONS

CODE	ADDITIONAL OPTIONS / SPECIAL CONDITIONS
-AB-	AIR CURTAIN ATTACHMENT
-AC-	COOLING ELEMENT INCLUDED
-B-	BASE
-CS-	CEILING SUSPENDED
-EC-	ELECTRONICALLY SUSPENDED
-F-	FLEXIBLE DUCT FOR CLEAN AIR DISCHARGE
-FD-	FLANGE ON DEBRIS DISCHARGE FOR DUCT
-FF-	OR BAG
-H-	FLANGE ON CLEAN AIR DISCHARGE FOR DUCT
-NE-	DUCT
-PX-	HUMIDISTAT INCLUDE
-PF-	NO ELECTRONICS
-Q-	PRESSURIZATION TYPE (X, Y, or Z)
-RM-	MOUNTING FOR POST FILTER
-SM-	SUPPLEMENTAL SOUND DAMPENING
-T-	ROOF MOUNTING KIT
-UV-	STAND MOUNTED

DISTRIBUTED BY:

Designed and manufactured in the U.S.A. under one or more of the following Patents #9,259,675 #10,118,115, with other patents pending.

33T00-230321-1140 ACB T20 I.R.