

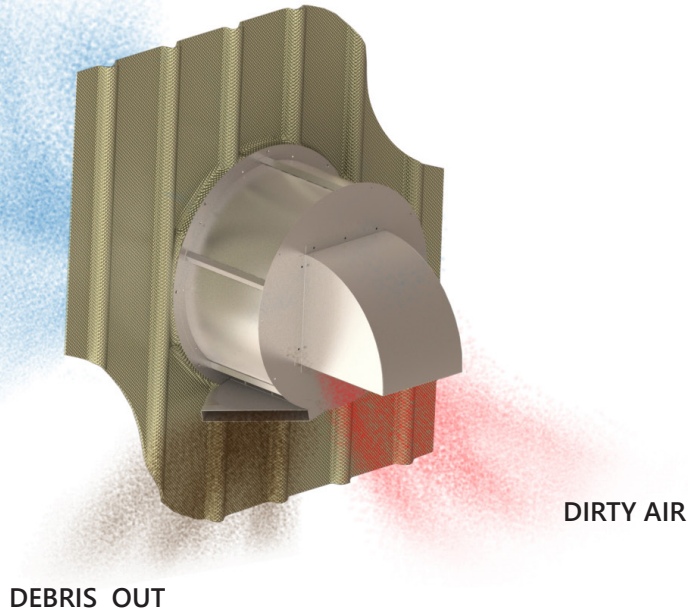


AIR CLEANING BLOWERS™

SELF CLEANING - NO FILTER ELEMENTS TO MAINTAIN

ACB MODEL T10

CLEAN AIR



DIRTY AIR

DEBRIS OUT

AIR FLOW: 850-1000 CFM

UNIT TECHNICAL SPECIFICATIONS

Standard Electrical Options:

(other Configurations Available Upon Request)

- 460 Volts / 60 Hz / 3 Phase & 380-420 Volts / 50 Hz / 3 Phase

*All 208-230 and 460 Units can run on 50 Hz as well, albeit at lower RPM and CFM Output

Amperage of Components:

(60 Hz Data)

- 400/3/50 - FLA - 4.5A, MCA = 5.625A, MOP = 15A

Standard models are 18 gauge steel cabinets and a 12 gauge mounting plate.

Metal material options: aluminum, stainless steel 304 or 316.

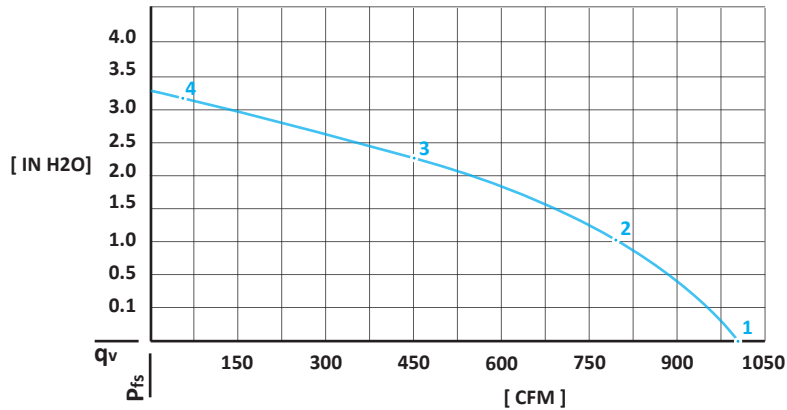
Rain hoods and downspouts are removable to facilitate installation, but necessary for safe functioning of the standard units.

Units meet IP54 or higher as standard. They can meet NEMA 4X standard if made of type 304 or type 316 stainless steel and appropriate material for impeller.

APPLICATIONS

Manufacturing	Medical	Data Center / Computer Servers	Mining / Oil / Tunneling	Office / Corporate
Food Processing	Military / Government	Agriculture	Transportation	School / Institution

AIRFLOW PERFORMANCE



* All values labeled in the graph and table are estimates.

Point	Power Supply V	Frequency Hz	Speed rpm	Airflow CFM	Pressure IN H2O
1	460	60	2400	1000	0.00
2	460	60	2400	800	1.00
3	460	60	2400	450	2.25
4	460	60	2400	100	3.25

OPTIONS

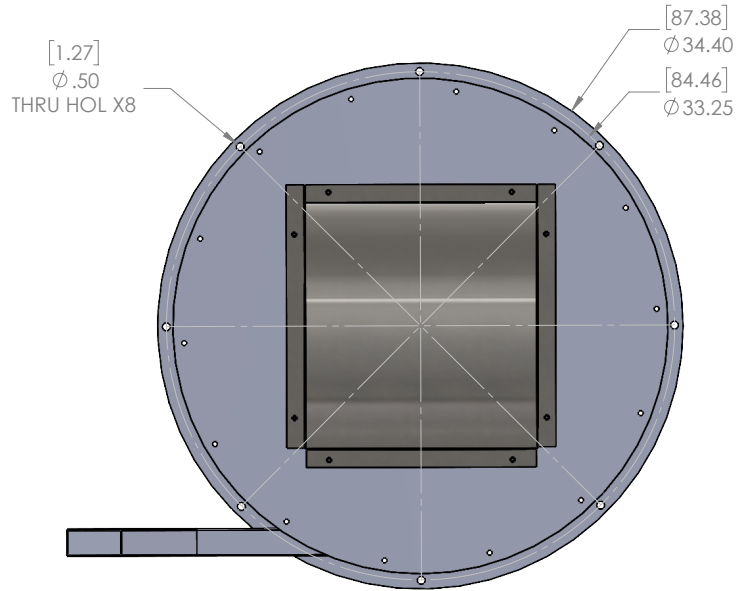
Heating Elements	1.5 to 20 kW of electrical-resistance heat using corrosion-resistant tubular incoloy (not light-weight wires).
Collecting Particles	In the case that the material being removed from the air or other gas has value, various adaptations can channel the material to a collection point. For some models, ACB can offer optional, reusable particle-collection bags.
Housing for Downstream Specialty Filter Media	Activated carbon and other chemical-removing bulk media, filter elements to remove chemicals or finer particles than the ACB removes.
Thermostat	To control the airflow or to warn user of high or low temperatures.
Adaptation for Installation On/In Vertical and other Air Conditioners	Provide changes of air and/or pressurization and purging to enclosures served by the Air Cleaning Blowers™.
Hazardous-Area Controls	To provide NFPA Type X, Y, or Z purging and pressurization.
Adaptation for Hazardous (Explosive) Ambients Classified As	NEC Class I Groups A, B, C, D, or E, Class II Groups F or G, or Class III Division/Zone 2 or Class I Groups C or D, Class II Groups E, F, or G, or Class III, Division/Zone 1 and their ATEX and IECEx equivalents.

INSTALLATION

The units normally bolt to the wall. They require no additional support, unless the wall cannot support the weight indefinitely. When these ACBs are installed on a wall, the passage through the wall can be lined with a duct, if desired. Most units come with a cord for connection to a junction box.

The ACBs can also be installed through the wall

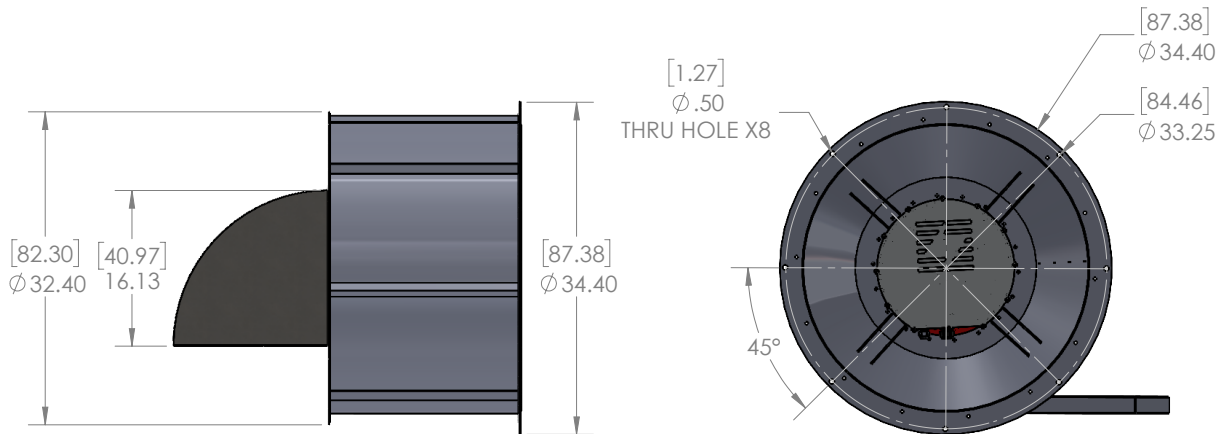
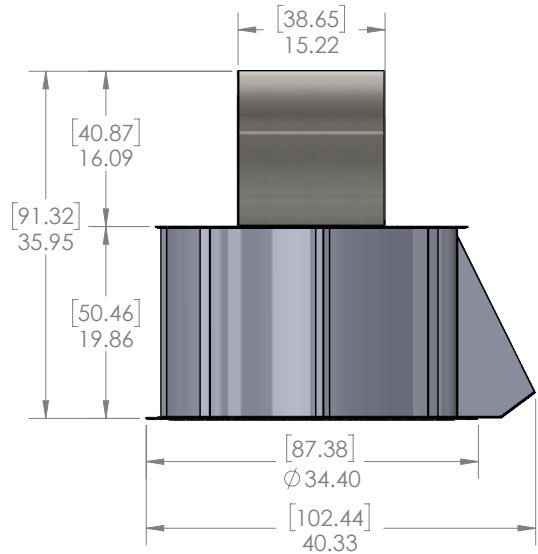
The units can come with two lifting eyes on the top that can be removed easily if necessary.



DIMENSIONS

All dimensions are inches (IN), followed by centimeters (CM).

Weight of unit: 200lbs (91kg)





AIR CLEANING BLOWERS™

SELF CLEANING - NO FILTER ELEMENTS TO MAINTAIN

Build Your Own Model (Number):

Just fill in the blanks with the appropriate codes from the lists below.

T10 - - - - - - -

ELECTRICAL **HEAT** **CABINET** **IMPELLER** **EXTERIOR FINISH** **HAZARDOUS LOCATION** **ADDITIONAL OPTIONS**

ELECTRICAL			HEAT		CABINET & IMPELLER		EXTERIOR FINISH	
CODE	AC 60HZ	AC 50 HZ	CODE	HEAT / KW	CODE	MATERIAL	CODE	EXTERIOR FINISH
A	115V / 1 PH		N	NO HEAT	F	FIBERGLASS	4	#4 SATIN METAL FINISH
B	220-240V / 1 PH	220-240V / 1 PH	1	1 kW	R	FIBERGLASS REINFORCED PLASTIC	P	POWDER COATED PAINT
C		220V / PH	2	2 kW	A	ALUMINUM	A	ANODIZED
E	227V / 1 PH	220-240V / 1 PH	3	3 kW	4	STAINLESS STEEL 304	M	MILL FINISH
F		180-260V 1 PH	4	4 kW	6	STAINLESS STEEL 316	N	NICKLE PLATING
G	208-230V 3 PH	200-240V 3 PH	5	5 kW	P	POLYPROPYLENE	G	GALVANIZED STEEL
H	208-230V 3 PH	200-220V 3 PH	6	6 kW	D	LDPE	B	BLACK OXIDE
J	415V / 3 PH	415V / 3 PH	7	7 kW	L	ALS	V	PASSIVATION COATING
K	575V / 3 PH		8	8 kW	Y	POLYSTYRENE	Y	SPRAY PAINT
L	208-230V / 1 PH	220V / 1 PH	9	9 kW	C	CELCON		
M	460V / 3 PH	380-420V / 3 PH	10	10 kW	T	STEEL		
N	460V / 3 PH	 kW				
P								
Q	208-230 I 460V / 3 PH	380-420V / 3 PH						
R	380V / 3 PH	208-230 I 460V / 3 PH						
X	208-230 I 380-460V / 3PH							
Y	115V / 1 PH / 400 HZ	380-420V / 3PH						
Z	115V / 3 PH / 400 HZ							
D(#)	DIRECT CURRENT (VOLTAGE)							

HAZARDOUS LOCATION		ADDITIONAL OPTIONS	
CODE	HAZARDOUS LOCATION	CODE	ADDITIONAL OPTIONS / SPECIAL CONDITIONS
N	NONE	-AB-	AIR CURTAIN ATTACHMENT
H	HARSH DUTY	-AC-	COOLING ELEMENT INCLUDED
E	EXPLOSION PROOF	-VIB-	UNIT MODIFIED TO RESIST VIBRATION
		-EC-	ELECTRONICALLY SUSPENDED
		-F-	FLEXIBLE DUCT FOR CLEAN AIR DISCHARGE
		-FD-	FLANGE ON DEBRIS DISCHARGE FOR DUCT OR BAG
		-FF-	FLANGE ON CLEAN AIR DISCHARGE FOR DUCT
		-MOD-	CUSTOM MODIFICATION SPECIFIED BY CUSTOMER
		-Q-	SUPPLEMENTAL SOUND DAMPENING
		-PX-	PRESSURIZATION TYPE (X, Y, or Z)
		-H-	HUMIDISTAT INCLUDED
		-NE-	NO ELECTRONICS
		-PF-	MOUNTING FOR POST FILTER
		-RM-	ROOF MOUNTING KIT
		-SM-	STAND MOUNTED
		-T-	THERMOSTAT
		-UV-	UV LIGHT MODULE
		-CS-	CEILING SUSPENDED
		-WM-	WALL MOUNTING KIT
		-IG-	INDOOR INLET GRILLE

Ready-to-Issue Specifications:

Supply and install where shown on plans an Air-Cleaning Blower™ (ACB) Model [see model name developed above] to move and clean air using only the momentum of the particles and without filter media, replaceable or permanent.

Filter-blower to have no valves and no electronic or other controls, except a mechanical on-off switch if checked here:
 Air-Cleaning Blower™ to have a blower capacity of _____ cfm at _____ inches water gauge at sea level in ambient temperatures ranging from -20°F (-29°C) to 150°F (65°C). Unit to have [material] body, 18-blade [material] impeller with straight blades powered by a motor rated IP54 or tighter. The ACB is to operate on _____ Volts/ _____ Phase/ _____ Hz electric current. No alternative acceptable.

Air-Cleaning Blower™ to be manufactured in the United States of America by Air Cleaning Blowers, LLC. Selkirk, New York 12158 and shall carry manufacturers warranty.



Designed and manufactured in the U.S.A. under one or more of the following Patents #9,259,675 #10,118,115, with other patents pending.

DISTRIBUTED BY:

33T00-220523-1510 ACB T10 v1